

DIGITAL NON-PROGRAMMABLE HEAT PUMP 1 STAGE COOL 2 STAGE HEAT



- LARGE GREEN BACK LIT DISPLAY
- COMPATIBLE WITH ALL HEAT PUMP SYSTEMS
- EMERGENCY HEAT SELECTOR
- PRECISE COMFORT CONTROL
- AUTOMATIC COMPRESSOR SHORT CYCLE PROTECTION
- FAHRENHEIT OR CENTIGRADE COMPATIBLE
- LOW BATTERY INDICATOR

REPLACES

ROBERT SHAW 09520,09420 08420
 HONEYWELL T8411 TH321, TH210
 WHITE RODGERS 1F79,1F83
 ICM SC2200 SC2210
 BRAEBURN 3200
 LUX PSDH121



PRODUCT SPECS

TEMPERATURE SETPOINT

Heating: 40°F to 90°F (4.5°C to 32°C)
 Cooling Range: 50°F to 99°F (10°C to 37°C)
 Resolution: 1°F (0.5°C)

TEMP DISPLAY - Range: 32°F to 99°F (0°C to 50°C)
 Resolution: 1°F (0.5°C)

OPERATING TEMPERATURE - 32°F to 122°F (0°C to 50°C)

SHIPPING TEMPERATURE - -40°F to 130°F (-40°C to 55°C)

OPERATING RELATIVE HUMIDITY - 5% to 90% (non-condensing)

PHYSICAL DIMENSIONS -

GT211D: 3.7" H x 4.7" W x 1.0" D (94 mm H x 120 mm W x 25 mm D)

POWER - 24VAC or 2AAA Batteries

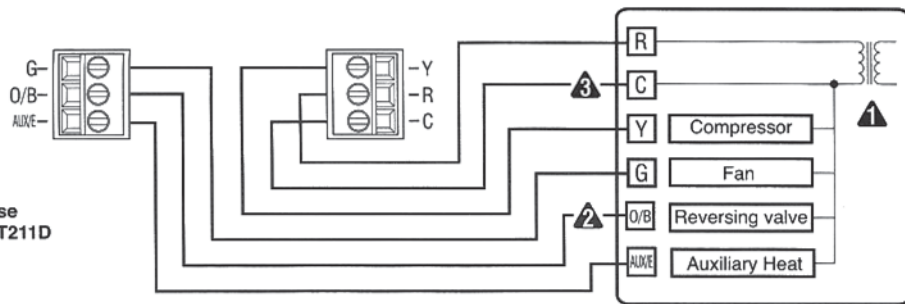
MAXIMUM LOAD - 1A @ 24VAC per output



Heat pump with auxiliary heating (2H1C)



Use
GT211D



- 1 Power supply. Provide disconnect means and overload protection as required.
- 2 Set the O/B jumper according to the type of reversing valve.
- 3 Optional 24 VAC common connection. If this connection is not made, use batteries to power the thermostat.

The GT211D is digital thermostat. You can set your desired Heat and cool temperature set points directly on the Large LCD display
You can easily override the set temperatures.
5-minute minimum off time in COOL protects your air conditioning system from being damaged.

Two "AAA" batteries are used to run thermostat if common is not used.

* 2 YEAR LIMITED END USER WARRANTY
GEMAIRE DIST
1708 PARK CENTRAL BLVD N
POMPANO BEACH, FL 33064